

PPC

Power Pack type

2.2 24DC_T/S150

Electric AC or DC motor or motor mounting kit

UB

Central manifold

G1.1

Gear pump

J

Cavity 0

V350

Relief valve cavity 1

A 24DC

Cavity 2

R5

Cavity 3

U

Cavity 4

X

Cavity 5

X

Cavity 6

X

Cavity 7

X

Cavity 8

X

Cavity 9

5BV

Tank & mounting style

E60403010

External Manifolds

SD03A2 24DC

External Valves

E60543006

Accessories

Power Packs

Power Packs MICRO: PPM



Power Packs COMPACT: PPC



Electropumps BULL: EPB



Discover Hydronit's well-known modularity by following the colour coded squares... showing the range each component belongs to: most components are shared = better flexibility, cost savings and easier stock management

Table of DC motors with columns for code, description, and power ratings (12VDC, 24VDC).

Table of DC motors with columns for code, description, and power ratings (12VDC, 24VDC).

Table of DC motors options with columns for code, description, and starting relay details.

Table of DC motors options with columns for code, description, and frame/frame size details.

Table of DC motors options with columns for code, description, and frame/frame size details.

Table of DC motors options with columns for code, description, and frame/frame size details.

Table of DC motors options with columns for code, description, and frame/frame size details.

Table of AC motors with columns for code, description, and power ratings.

Table of AC motors with columns for code, description, and power ratings.

Table of AC motors with columns for code, description, and power ratings.

Table of AC motors with columns for code, description, and power ratings.

Table of AC motors with columns for code, description, and power ratings.

Table of AC motors with columns for code, description, and power ratings.

Table of AC motors with columns for code, description, and power ratings.

Table of Central manifolds with columns for code, description, and manifold type.

Table of Central manifolds with columns for code, description, and manifold type.

Table of Central manifolds options with columns for code, description, and exit ports.

Table of Central manifolds with columns for code, description, and manifold type.

Table of Central manifolds with columns for code, description, and manifold type.

Table of Central manifolds with columns for code, description, and manifold type.

Table of Central manifolds with columns for code, description, and manifold type.

Table of Gear pumps with columns for code, description, and pump type.

Table of Gear pumps with columns for code, description, and pump type.

Table of Gear pumps with columns for code, description, and pump type.

Table of Gear pumps with columns for code, description, and pump type.

Table of Gear pumps with columns for code, description, and pump type.

Table of Gear pumps with columns for code, description, and pump type.

Table of Gear pumps with columns for code, description, and pump type.

Table of Hydraulic valves cavity 0-1 with columns for code, description, and valve type.

Table of Hydraulic valves cavity 0-1 with columns for code, description, and valve type.

Table of Hydraulic valves cavity 0-1 with columns for code, description, and valve type.

Table of Hydraulic valves cavity 0-1 with columns for code, description, and valve type.

Table of Hydraulic valves cavity 0-1 with columns for code, description, and valve type.

Table of Hydraulic valves cavity 0-1 with columns for code, description, and valve type.

Table of Hydraulic valves cavity 0-1 with columns for code, description, and valve type.

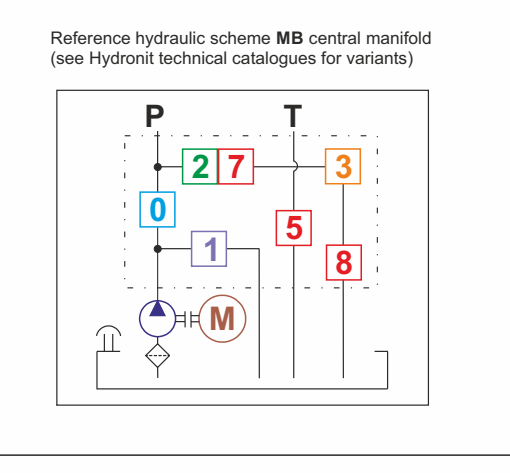


Table of Hydraulic valves cavity 2-3-4 with columns for code, description, and valve type.

Table of Hydraulic valves cavity 2-3-4 with columns for code, description, and valve type.

Table of Hydraulic valves cavity 2-3-4 with columns for code, description, and valve type.

Table of Hydraulic valves cavity 2-3-4 with columns for code, description, and valve type.

Table of Hydraulic valves cavity 2-3-4 with columns for code, description, and valve type.

Table of Hydraulic valves cavity 2-3-4 with columns for code, description, and valve type.

Table of Hydraulic valves cavity 2-3-4 with columns for code, description, and valve type.

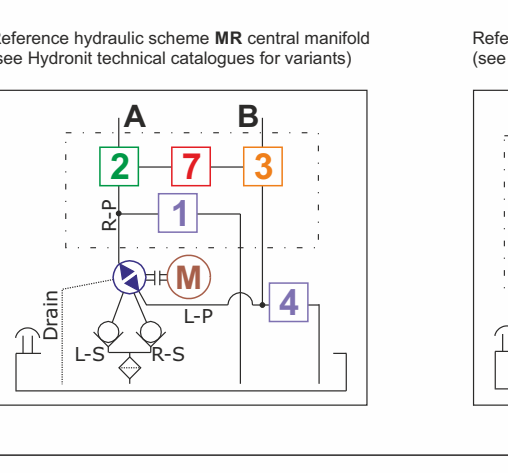


Table of Hydraulic valves cavity 5-6-7-8-9 with columns for code, description, and valve type.

Table of Hydraulic valves cavity 5-6-7-8-9 with columns for code, description, and valve type.

Table of Hydraulic valves cavity 5-6-7-8-9 with columns for code, description, and valve type.

Table of Hydraulic valves cavity 5-6-7-8-9 with columns for code, description, and valve type.

Table of Hydraulic valves cavity 5-6-7-8-9 with columns for code, description, and valve type.

Table of Hydraulic valves cavity 5-6-7-8-9 with columns for code, description, and valve type.

Table of Hydraulic valves cavity 5-6-7-8-9 with columns for code, description, and valve type.

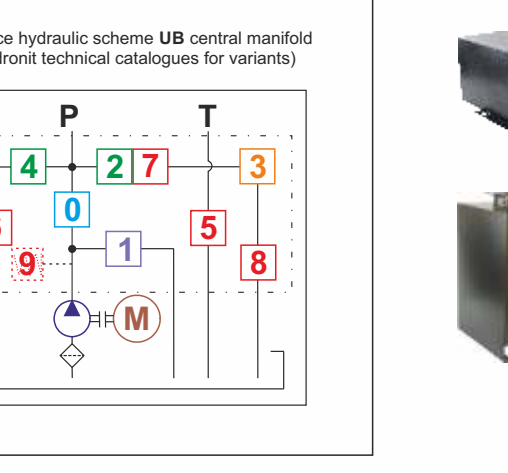


Table of Tanks & mounting style with columns for code, description, and tank size.

Table of Tanks & mounting style with columns for code, description, and tank size.

Table of Tanks & mounting style with columns for code, description, and tank size.

Table of Tanks & mounting style with columns for code, description, and tank size.

Table of Tanks & mounting style with columns for code, description, and tank size.

Table of Tanks & mounting style with columns for code, description, and tank size.

Table of Tanks & mounting style with columns for code, description, and tank size.

Table of External Manifolds & Accessories with columns for code, description, and manifold type.

Table of External Manifolds & Accessories with columns for code, description, and manifold type.

Table of External Manifolds & Accessories with columns for code, description, and manifold type.

Table of External Manifolds & Accessories with columns for code, description, and manifold type.

Table of External Manifolds & Accessories with columns for code, description, and manifold type.

Table of External Manifolds & Accessories with columns for code, description, and manifold type.

Table of External Manifolds & Accessories with columns for code, description, and manifold type.

Table of External Valves with columns for code, description, and valve type.

Table of External Valves with columns for code, description, and valve type.

Table of External Valves with columns for code, description, and valve type.

Table of External Valves with columns for code, description, and valve type.

Table of External Valves with columns for code, description, and valve type.

Table of External Valves with columns for code, description, and valve type.

Table of External Valves with columns for code, description, and valve type.



Images are not in scale. All rights reserved. All information is subject to change without notice.